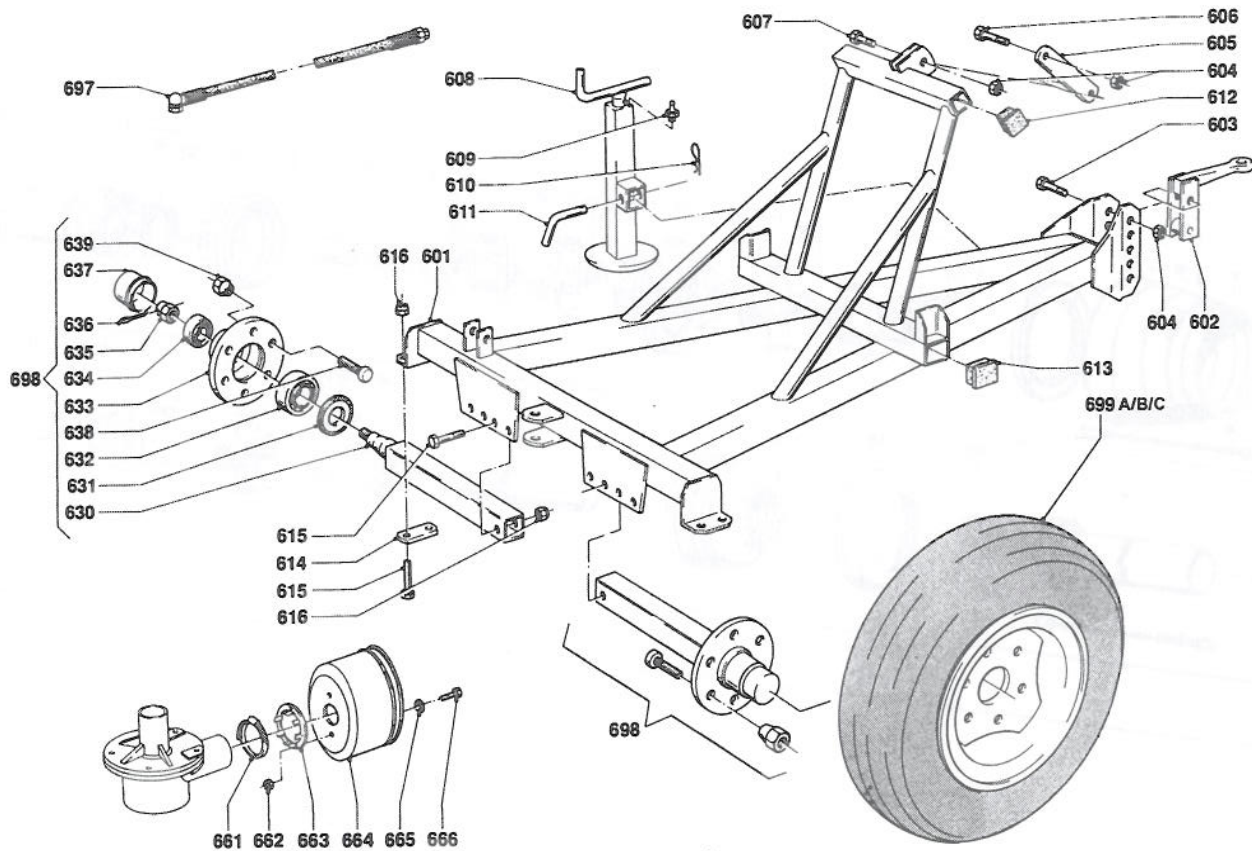
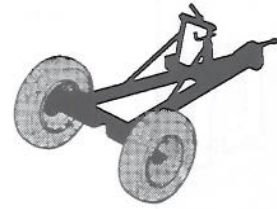


LELY

L1500	type nummer type number numéro de type Typnummer	vanaf serienummer as from serial number après numéro de serie ab Seriennummer
	2.3215.2070.1	1000 - 0501



A025-03-10

REF.	ONDERDEELNR. PART NUMBER REFERENCE TEILNUMMER	AANTAL QUANTITY QUANTITE ANZAHL
------	--	--

601	2.3215.2080.0	1
602	2.3215.2110.0	1
603	9.1113.0474.1	2
604	9.1030.0043.6	4
605	2.3215.2108.0	1
606	9.1113.0478.5	1
607	9.1113.0331.0	1
608	2.3218.2151.0	1
609	9.1069.0001*2	1
610	9.1124.0005*0	1
611	1.1624.1490.0	1
612	9.1108.0033.2	2
613	9.1108.0057.6	2
614	2.3218.2165.0	2
615	9.1113.0473.0	4
616	9.1030.0034.4	6

630	#	1+1
631	#	1+1
632	9.1002.0026.3	1+1
633	#	1+1
634	9.1002.0002.0	1+1
635	9.1031.0011.1	1+1
636	9.1072.0007.5	1+1
637	9.1041.0103.6	1+1

REF.	ONDERDEELNR. PART NUMBER REFERENCE TEILNUMMER	AANTAL QUANTITY QUANTITE ANZAHL
------	--	--

661	9.1066.0016.6	1
662	9.1030.0022.6	2
663	2.3215.1487.0	1
664	1.1636.1049.0	1
665	9.1048.0099.2	2
666	9.1113.0170.1	2
697	4.1016.2120.0	(1)

698	2.3218.2169.0	2
699 A	9.1175.0012.5	(2)
699 B	9.1175.0021.0	2
699 C	9.1175.0018.4	(2)

Ø70-90
M10 DIN 985-A2-2

A10,5 DIN 7348-A2 [—]
M10x25 DIN 933-A2-2

L= 3050 mm

= REF. 630-639

Ø890 x 350 mm / 1 bar [x]

Ø760 x 270 mm / 1 bar

Ø875 x 400 mm / 1 bar [x]

LELY

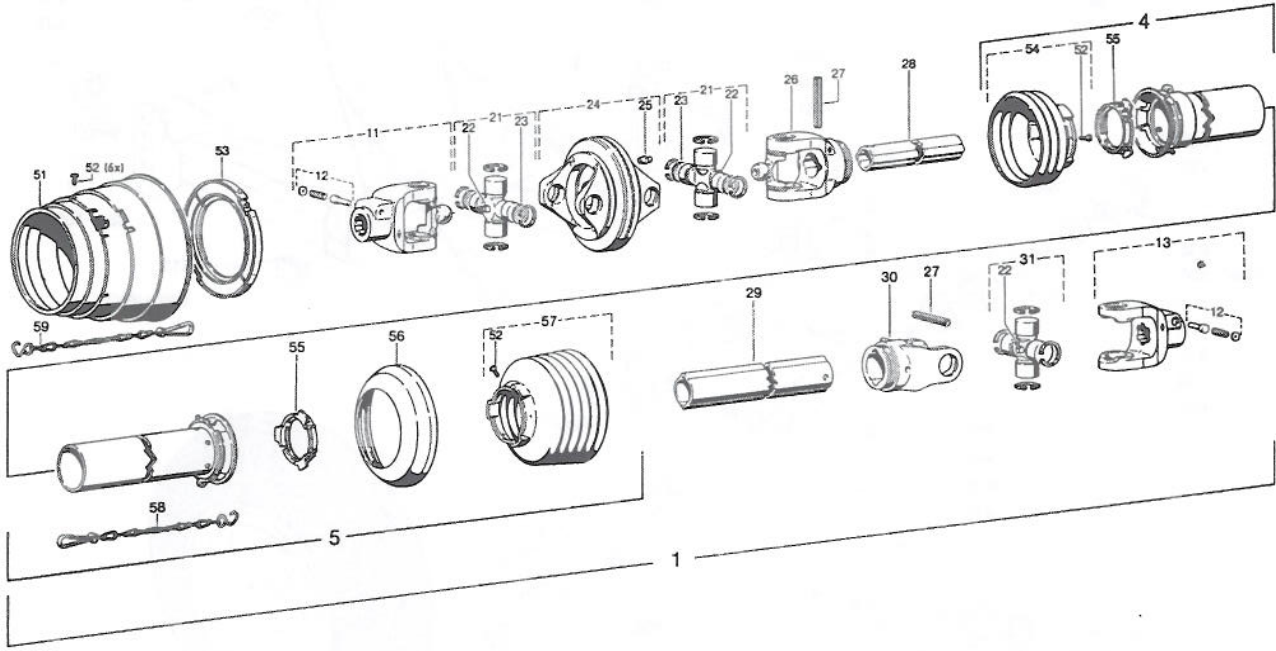
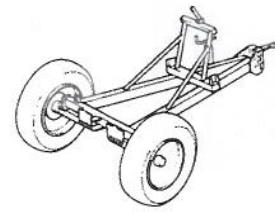
L1500

type number
type number
numéro de type
Typnummer

vanat seriennummer
as from serial number
après numéro de serie
ab Seriennummer

2.3215.2070.1

954 - 0501



Aw006-02-01

REF.	ONDERDEELNR. PART NUMBER REFERENCE TEILNUMMER	AANTAL QUANTITY QUANTITE ANZAHL	
------	--	--	--

1	9.1154.0149.2	1	WWE2280-SD15-1410 = REF. 11-59
4	85.102	1	SCH15-A1300-RP2
5	85.104	1	SDH15-J1300-RP12-K
11	20.10.810	1	1.3/8" (6)
12	33.91.07	2	AGRASET 101
13	20.10.00	1	1.3/8" (6)
21	20.06.00	2	WW80°
22	63.27.00	3	M8x1
23	20.06.70	4	21,95x2
24	20.91.05	1	
25	63.12.01	1	AM8x1 DIN 71412
26	20.11.810	1	
27	61.05.04	2	Ø10x65 DIN 1481
28	75.11.96	1	OvGA-1220
29	75.16.16	1	1G-1210
30	20.12.00	1	RG2200-1
31	20.00.00	1	
51	85.00.00	1	
52	60.15.00	8	4x10
53	82.83.12	1	
54	85.14.106	1	n= 2
55	82.83.06	2	
56	82.85.00	1	
57	85.15.07	1	n= 7
58	82.36.03	1	400
59	82.36.08	1	600

REF.	ONDERDEELNR. PART NUMBER REFERENCE TEILNUMMER	AANTAL QUANTITY QUANTITE ANZAHL	
------	--	--	--